

INSTRUCTION TO RECORD AND PLAYBACK SECTION MODE



APR33DB WITH APR33AXC2

www.kowatec.com

info@kowatec.com

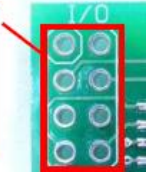
Tel: +1-408-451-9779

www.kowatec.com

Tel: +1-408-432-4826

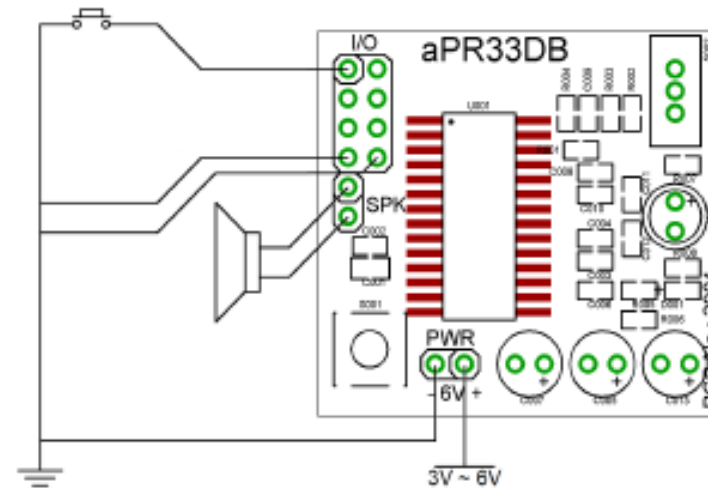
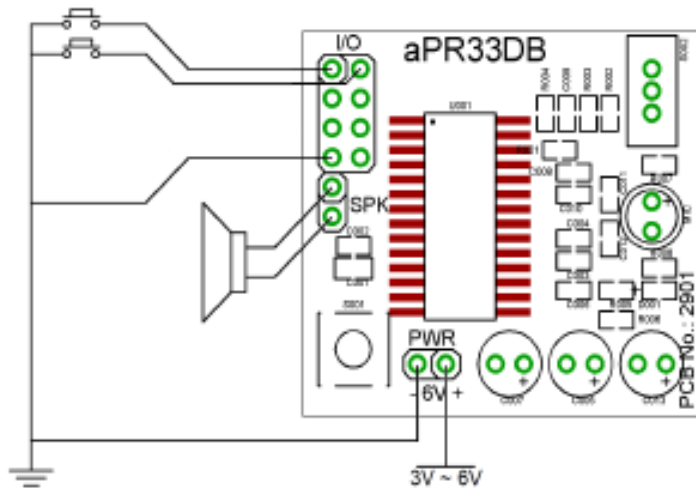
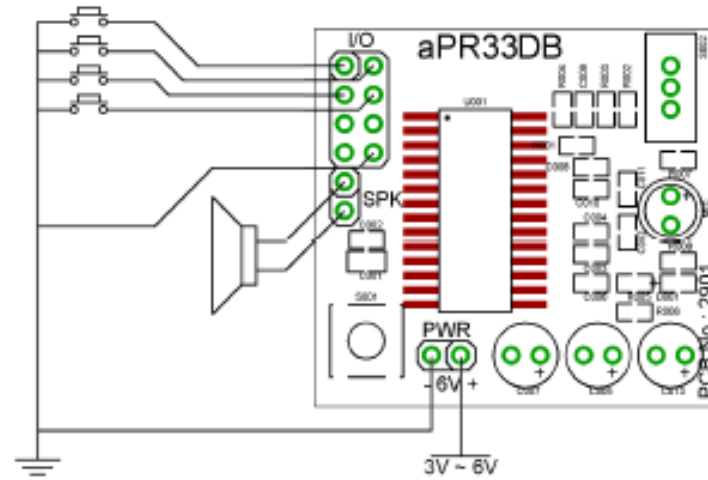
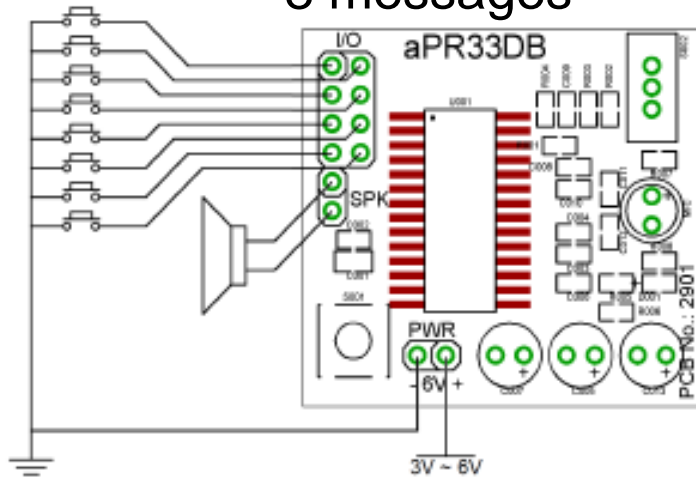
Circuit Connection - Section Mode

M1	M2
M3	M4
M5	M6
M7	M8



4 messages

8 messages

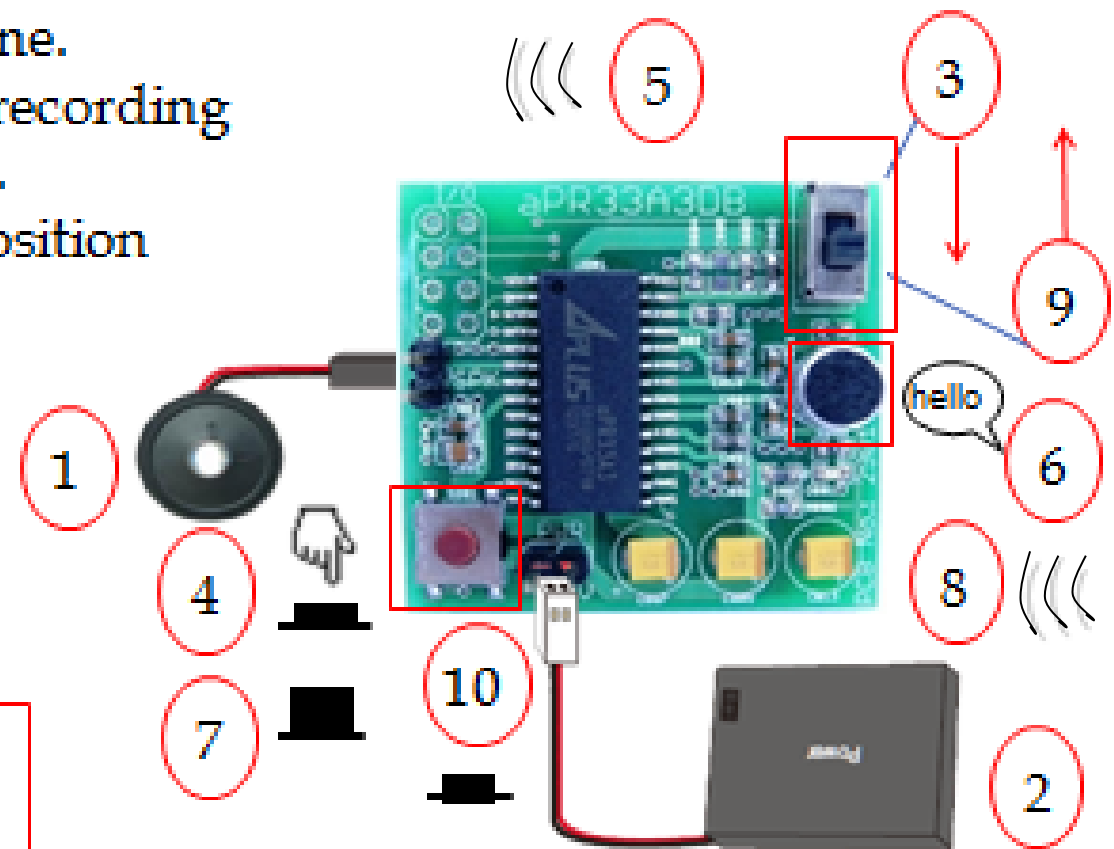


2 messages

1 message

One Message

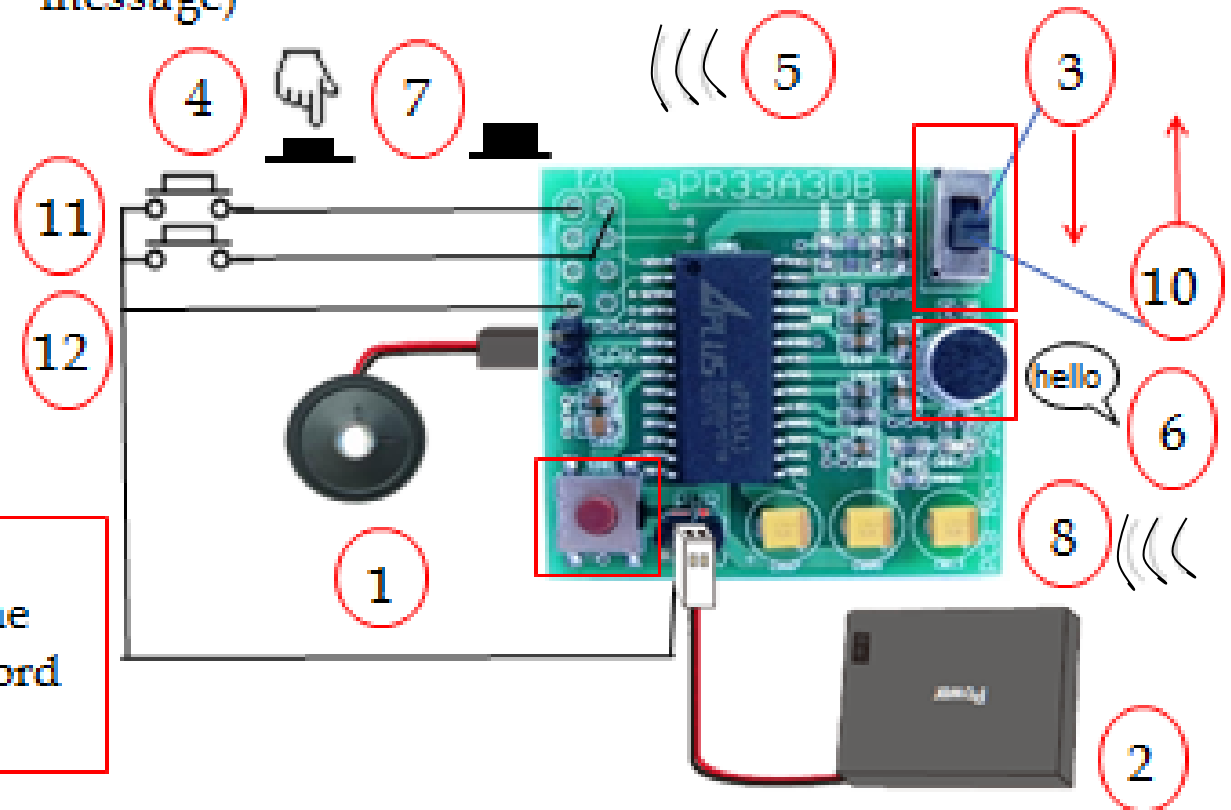
1. Connect the speaker to the spk pin
2. Connect the 3v battery to the pwr pin
3. Move the slide switch to REC position
4. Press and hold the button to start recording
5. Beeps once. LED light turns on.
6. Start recording at the microphone.
7. Release the button when finish recording
8. Beeps twice. LED light turns off.
9. Move the slide switch to Play position
10. Press the button to playback



Old messages will be overwritten by new recording.

Two Messages

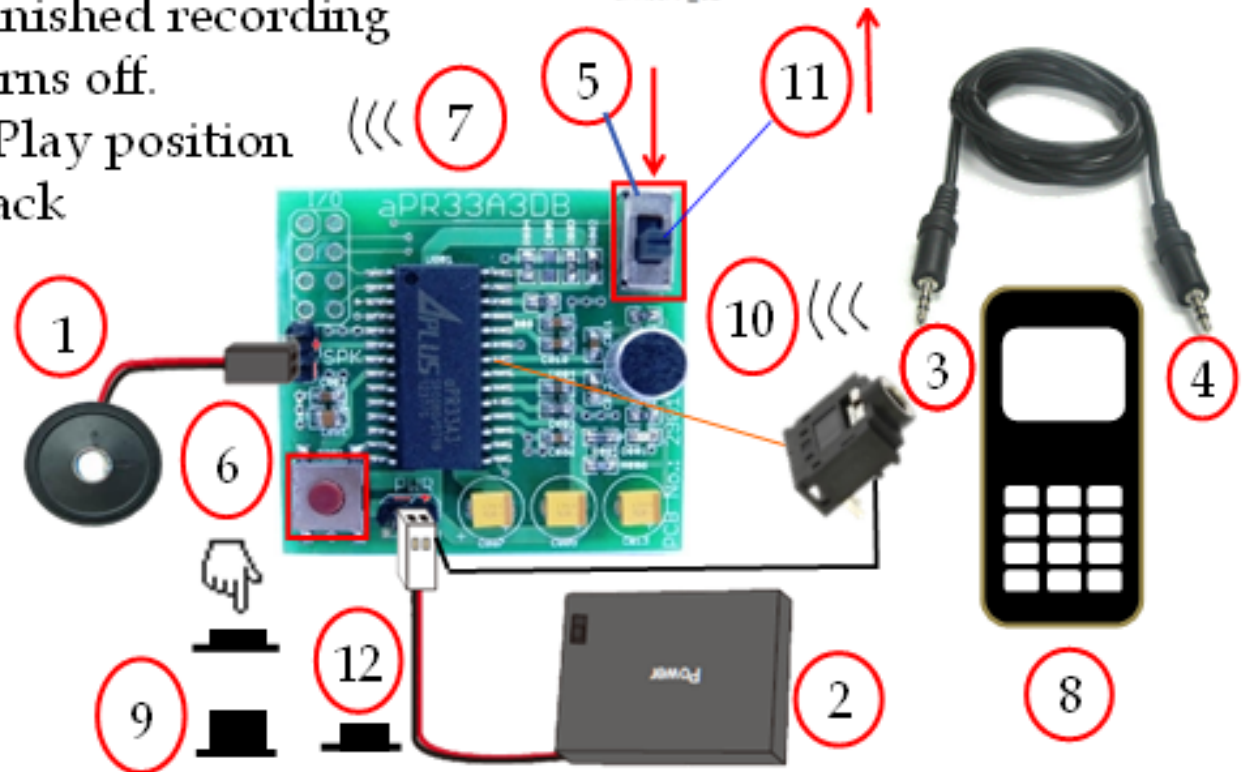
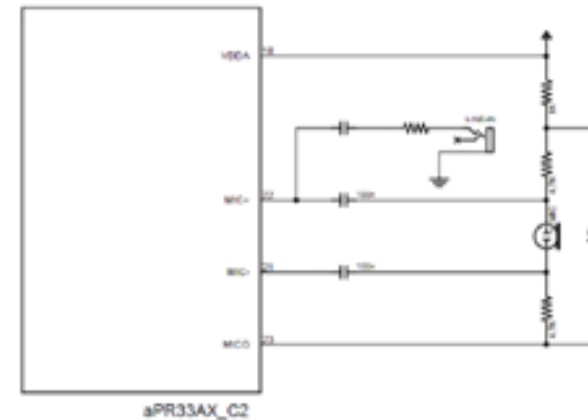
1. Connect the speaker to the spk pin
2. Connect the 3v battery to the pwr pin
3. Move the slide switch to REC position
4. Press and hold button 1 to start recording first message
5. Beeps once. LED light turns on.
6. Start talking at the microphone
7. Release button when finish
8. Beeps twice. LED light turns off.
9. Repeat steps 4-7 for button 2 (2nd message)
10. Move switch to Play position
11. Press the button 1 to playback
12. Repeat for button 2.



For 4 to 8 messages, see circuit connection on how to connect the switches and repeat steps to record and playback the messages.

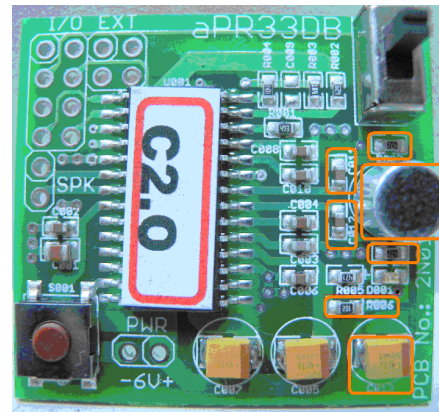
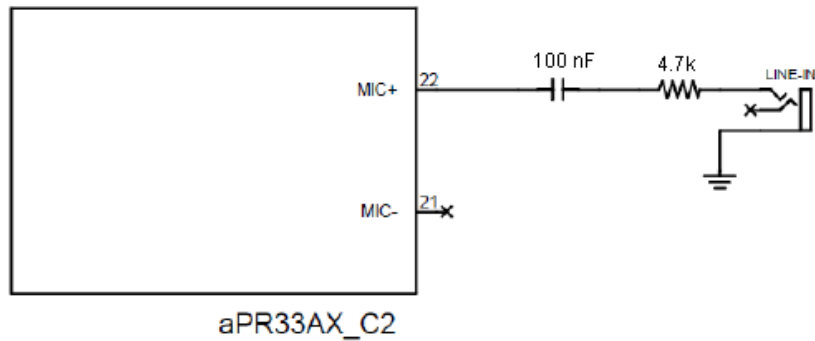
1. Connect the speaker to the spk pin
2. Connect 3v battery to the pwr pin
3. Connect audio cable to the audio jack
4. Connect audio cable to audio device
5. Move the slide switch to REC position
6. Press and hold the button to start recording
7. Beeps once. LED light turns on.
8. Start playing from the audio device
9. Release the button when finished recording
10. Beeps twice. LED light turns off.
11. Move the slide switch to Play position
12. Press the button to playback

Microphone & Line-in



For 2 to 8 messages, see circuit connection on how to connect the switches and repeat steps to record and playback the messages.

Line-in only



1. Remove the components marked with orange: R006, R007, R008, C011, C012, C013, Microphone
2. Connect the audio jack positive line to MIC+
3. Connect the audio jack negative line to GRD.
4. Add one capacitor 100nF and Resistor 4.7K
5. Follow the instructions in Microphone Recording to record and playback the messages.