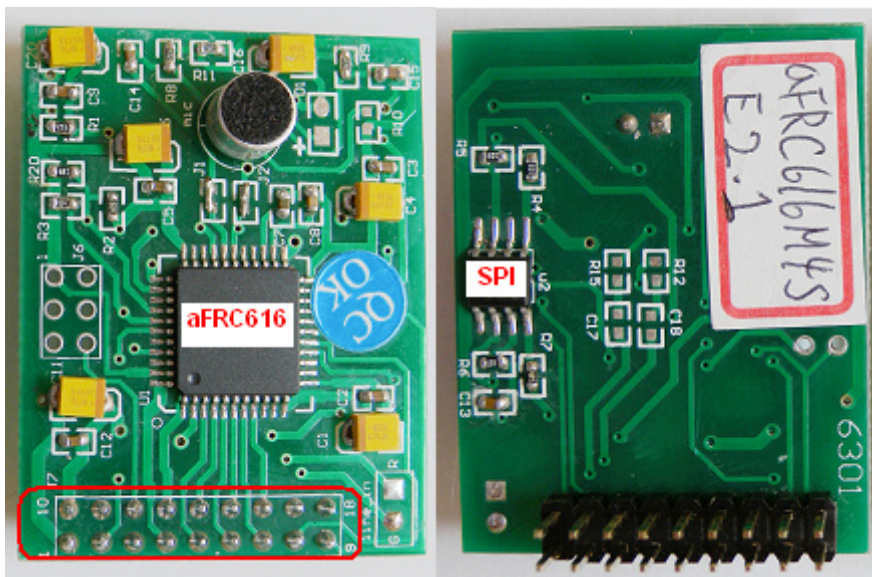
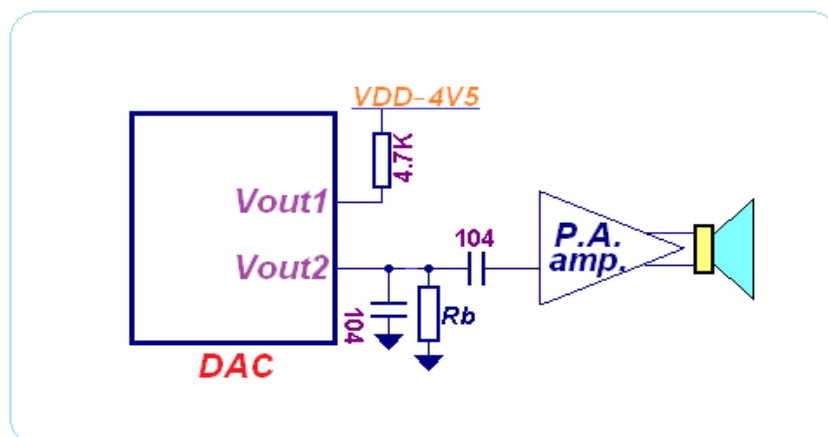
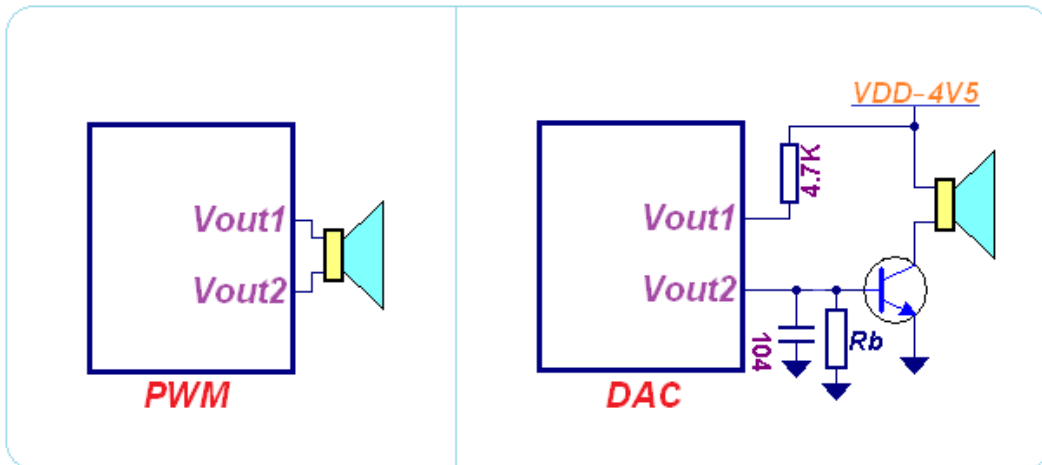
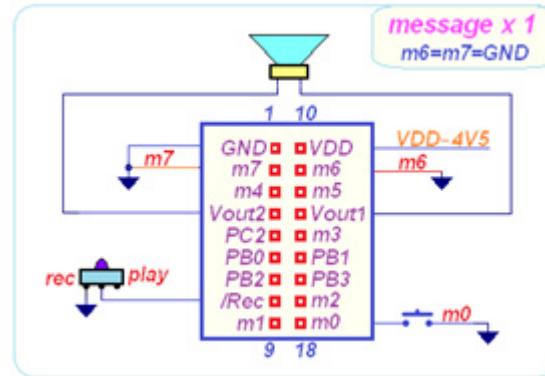
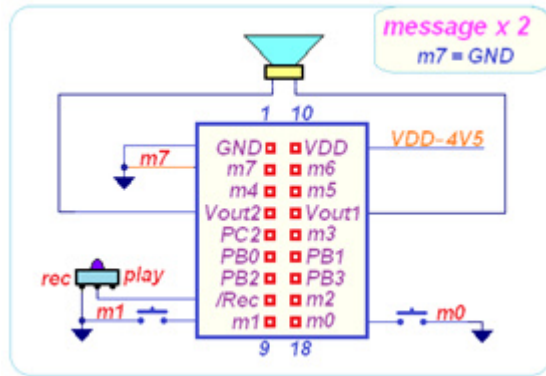
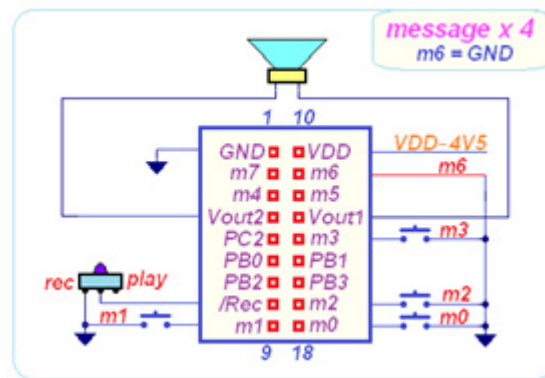
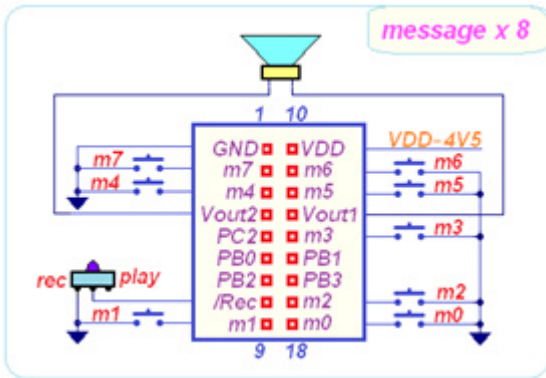
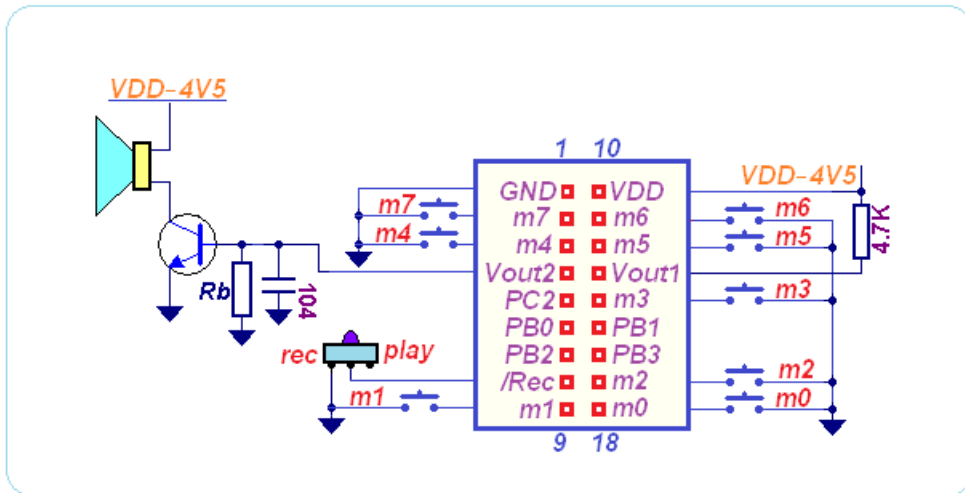


aFRC616M4S-E2.1 is 2 chip solution (aFRC616 controller + 4M flash) recording module.
Support maximum 8 messages recorded by microphone in or line in.

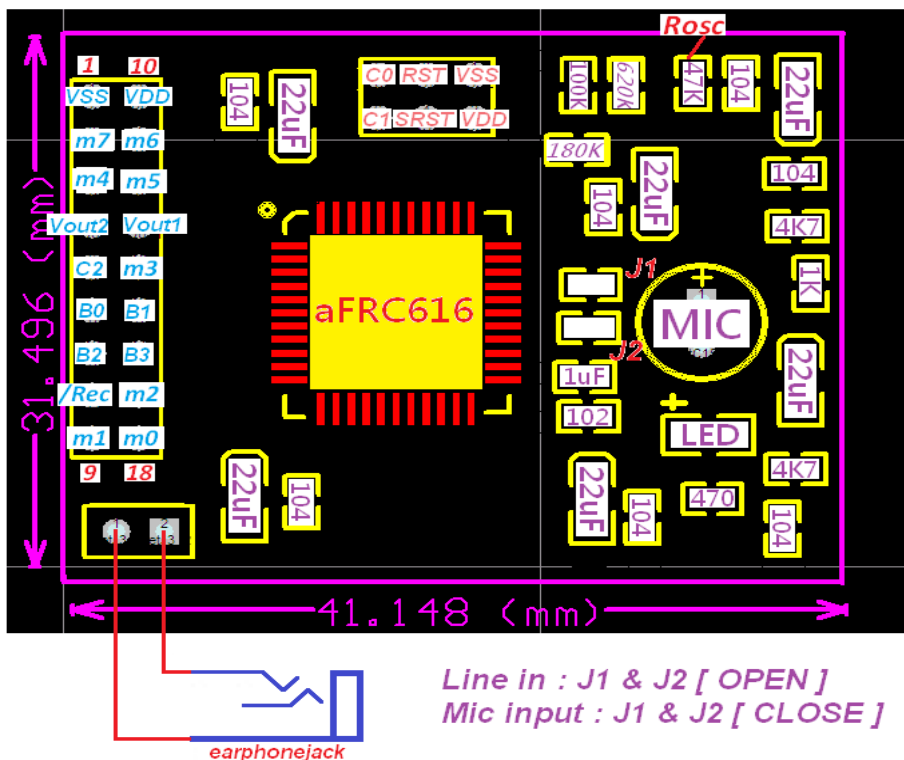
aFRC616M4S-E2.1 Recording Voice Module				
	1-fixed message	2-fixed message	4-fixed message	8-fixed message
Duration (sec./message)	42"	21"	10.6"	5.3"
Key mode	m0	m0,m1	m0,m1,m2,m3	m0,m1,m2,m3 m4,m5,m6,m7
Coding	8 bit , 12K sample rate			
Code no.	aFRC616M4 _ E2.1			
Operating Voltage	3.0V ~ 6.5V			



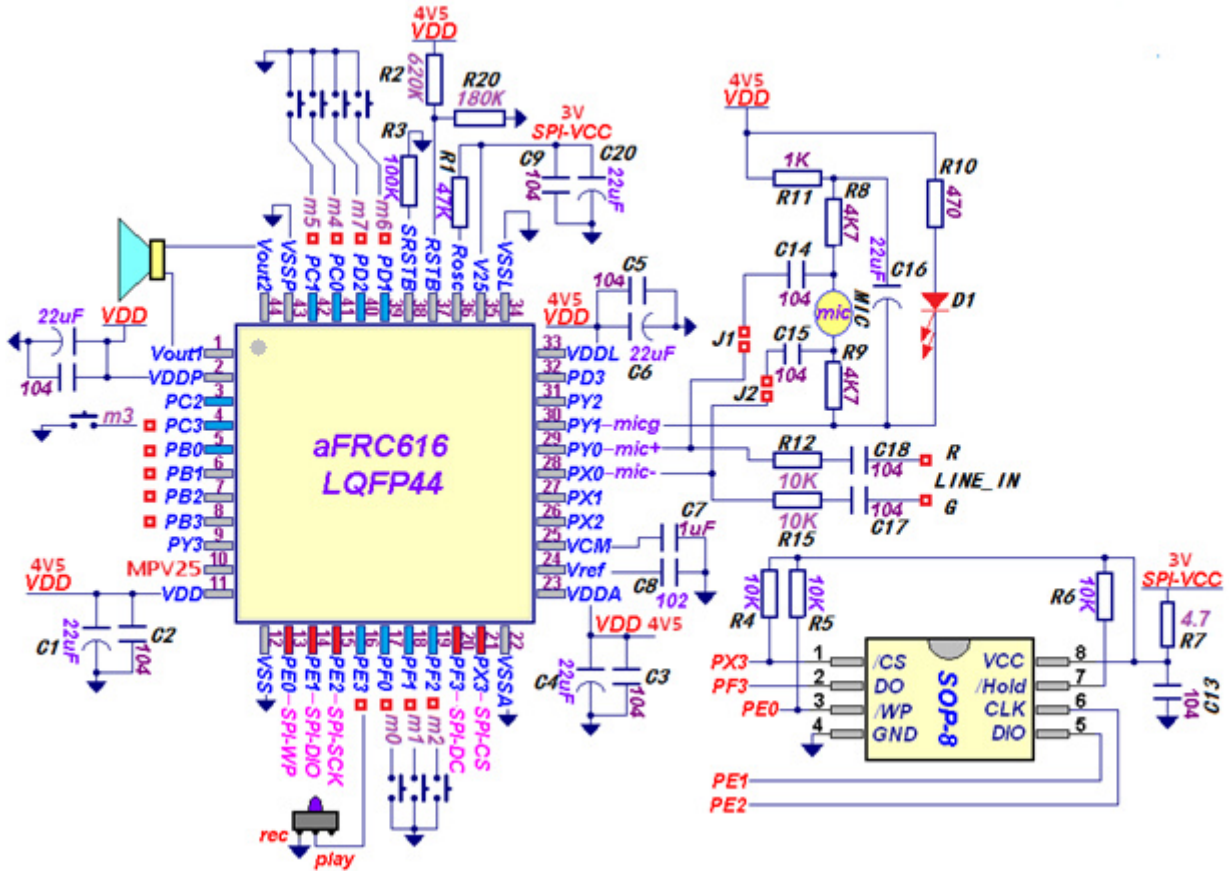




● LINE IN & Adjust Rosc :



APPLICATION CIRCUIT :



Oscillator Resistance Table

Resistance	Sampling Frequency	1-fixed message	2-fixed message	4-fixed message	8-fixed message
189K	6K	85 sec	42 sec	21 sec	10.6 sec
147K	7K	73 sec	36 sec	18 sec	9 sec
115K	8K	64 sec	32 sec	16 sec	8 sec
95K	9K	56 sec	28 sec	14 sec	7. sec
76K	10K	51 sec	25 sec	12 sec	6 sec
60K	11K	46sec	23 sec	11 sec	5.8 sec
47K	12K	42 sec	21 sec	10.6 sec	5.3 sec

The Rosc default 47K ohm