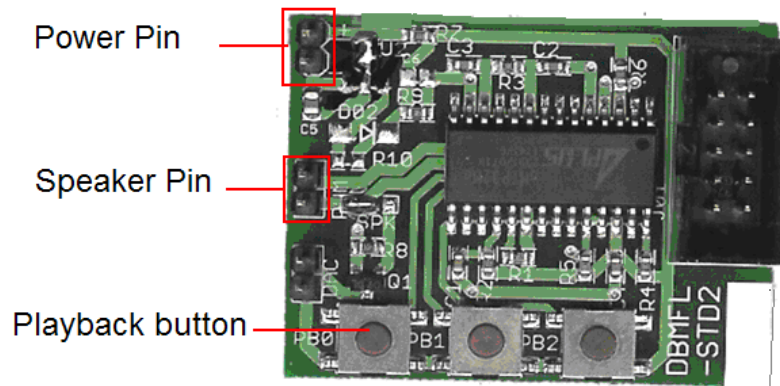




DBMFL-STD2 User Guide



1. Place the speaker in an enclosed case.
2. Connect the speaker cable to the speaker pins on the board
3. Insert 2 x AA battery to the battery holder
4. Connect the cable from the battery to the power pins. Make sure insert the black cable to the pin marked with the minus sign (negative) and the red cable to the pin marked with the plus sign (positive). Wrong connection might damage to the board.
5. Press the PB0 button once to playback the sound or message.