

## Q Card User Guide

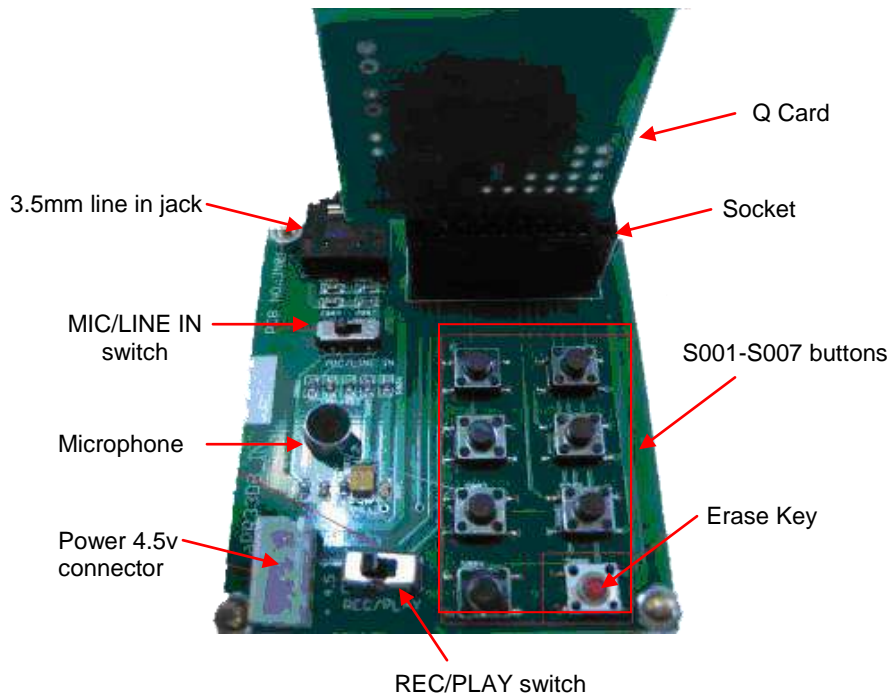


Small size, easy to use, high quality recording sound card. Simply insert the Q Card to the Q Writer and start recording with microphone or line-in cable connected to PC, cell phone or MP3 Player. Once recording is finished and tested the playback, add speaker, battery and button to the Q card for playback.

### Features

- Up to 340 seconds recording length of 7 sections of any duration.
- Record with microphone in or Line-in cable
- Usage up to 100,000 times
- 16 bit high quality playback, 8bits, 12K sample rate
- Operation DC 3~6.5V
- Dimension: 4.3 cm x 3.5 cm x 0.4 cm (LxWxH)

### Q Writer



## **To record the sound or messages**

1. Insert the Q Card into the socket of the Q Writer with the IC facing outward.
2. Connect the cable of speaker/battery holder to the Power 4.5v connector of the Q Writer.
3. Slide the MIC/LINE-IN switch to the left for microphone recording or to the right for line in recording.
4. For line-in recording, connect one end of the 3.5mm line in cable to the 3.5m audio jack and the other end to the PC, MP3 player, cell phones or other multimedia devices.
5. Slide the REC/PLAY switch to REC position.
6. Press and release the first button S001. When you hear a short beep sound and the LED is ON, start recording the first section. For Line-in recording, start playing the sound on the multimedia device.
7. Press the same button again to stop. When you hear a short beep sound and the LED is OFF, the recording is stopped.
8. Repeat steps 6-7 for each of the remaining 6 buttons (S002-S007)
9. You will also hear 2 beep sound if there is already data for the button and a long beep if the memory is full.

## **To delete or change the recording**

1. Press and hold the Erase button (S008) and then press the section button (S001-S007) that you want to change or delete. The LED will be ON for a second during the deletion.
2. Start the new recording for that section or leave it blank
3. If the memory is full and the section you have deleted was 42s, the new recording can only have 42s long.
4. To change the duration of the deleted section, you must delete other sections to give room for the new recordings.

## **To playback or test the recordings on the Q Writer**

1. Slide the REC/PLAY switch to PLAY position.
2. Press and release each of the S001-S007 button to playback. LED is ON during the playback.
3. When the playback is finished, the LED will be OFF

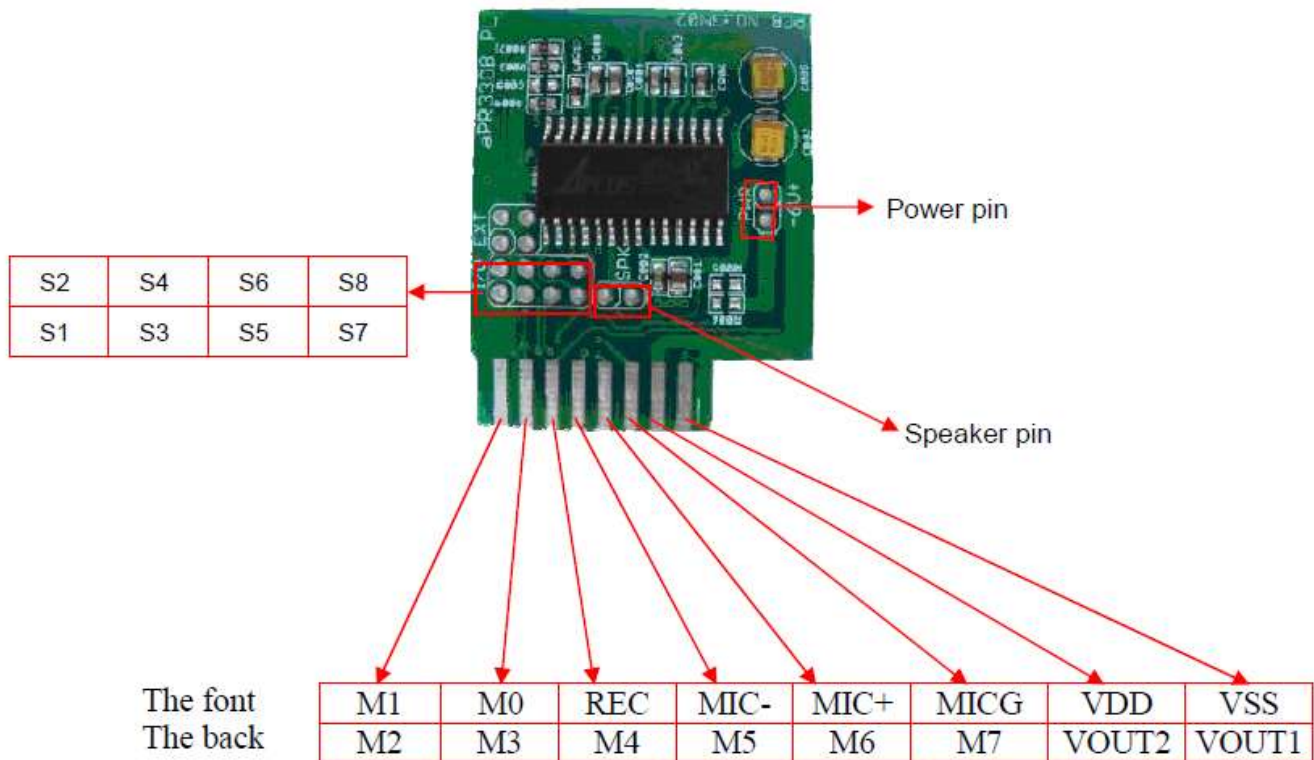
## **Overwriting or Re-recording**

Each section can have different duration. When the total duration reaches 340sec, there will be a long beep to indicate it cannot save any more data. Plan your recording accordingly before starting to record. For example, if the first section is 300s, the second section can only be 40sec.

To re-record any section or all the sections, you must erase the previous section first. Otherwise, you will hear a beep sound indicating there is already data in that section to avoid accidentally overwriting the data.

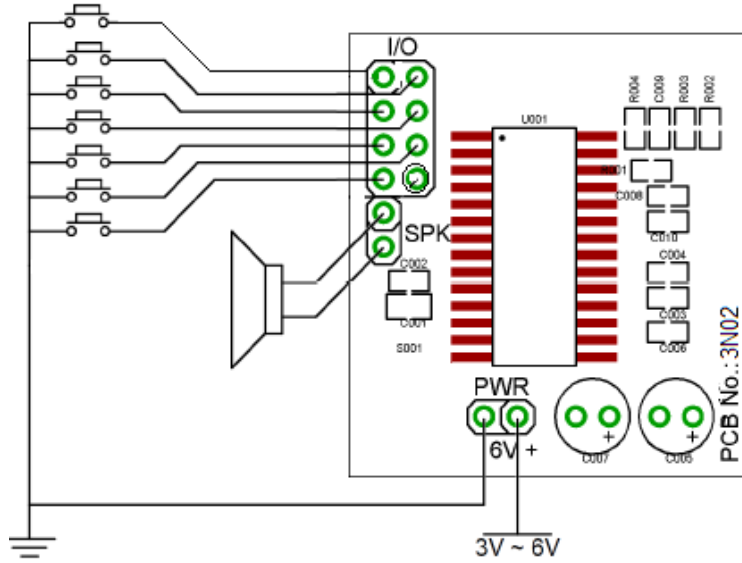
### Connecting the accessories

1. Once the recording is finished and tested the playback, turn off the power of battery holder, unplug the Q Card from the Q Writer.
2. Connect the speaker to the Speaker I/O pin, battery (6v) to the Power I/O.
3. Connect one wire of the trigger buttons or switches to the corresponding S1-S7 I/O pins and the second wire to GND. Note S8 is not used for triggers.
4. Press the buttons S1-S7 to playback the corresponding recordings.



Triggering buttons can be tact switches, tilt switches, PIR motion sensors, light sensors,

Q Card Trigger Connection



Example: 7 trigger buttons.